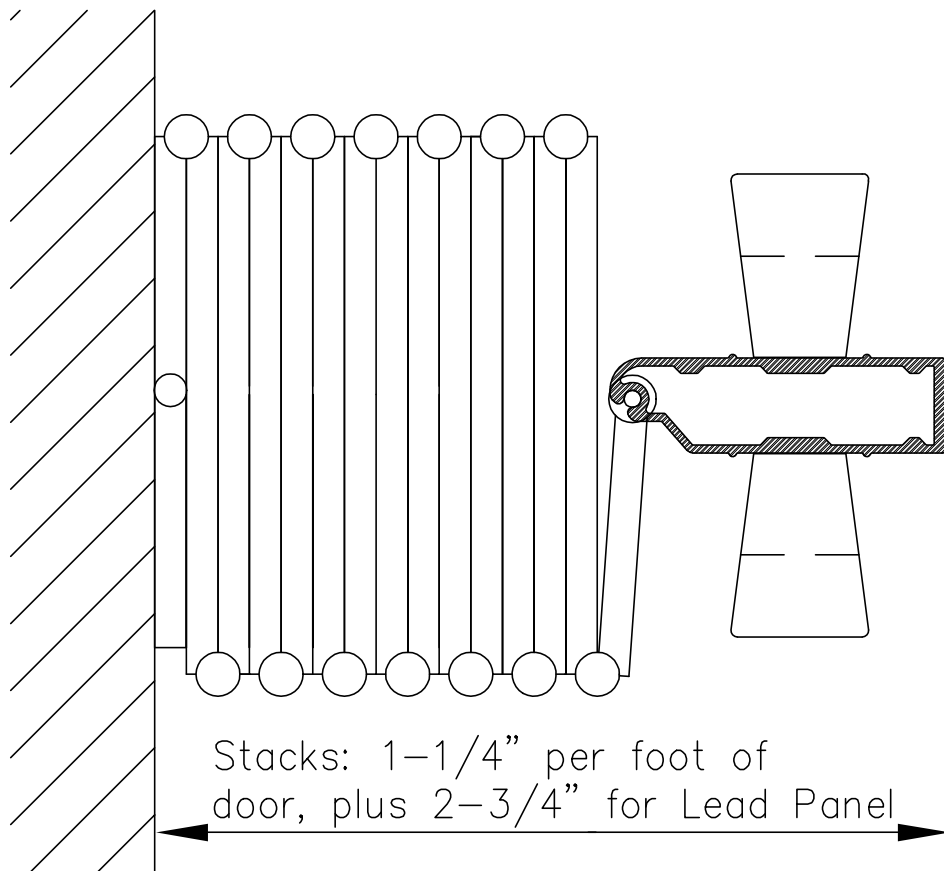


Stack Dimensions



CAD STD2100

○ STACK DIMENSIONS — MODEL 2100