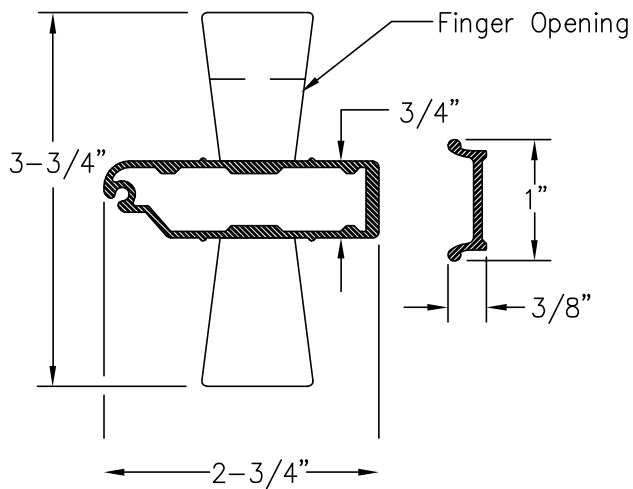
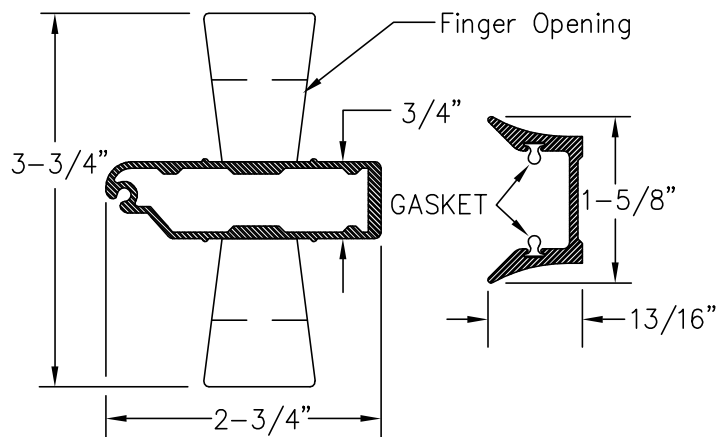


Lead Post, Jamb Moulding & Handle

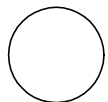


Doors without keylocks.



Doors with keylocks.

CAD LPJM-240



LEAD POST, JAMB MOULDINGS & HANDLE – MODEL 240