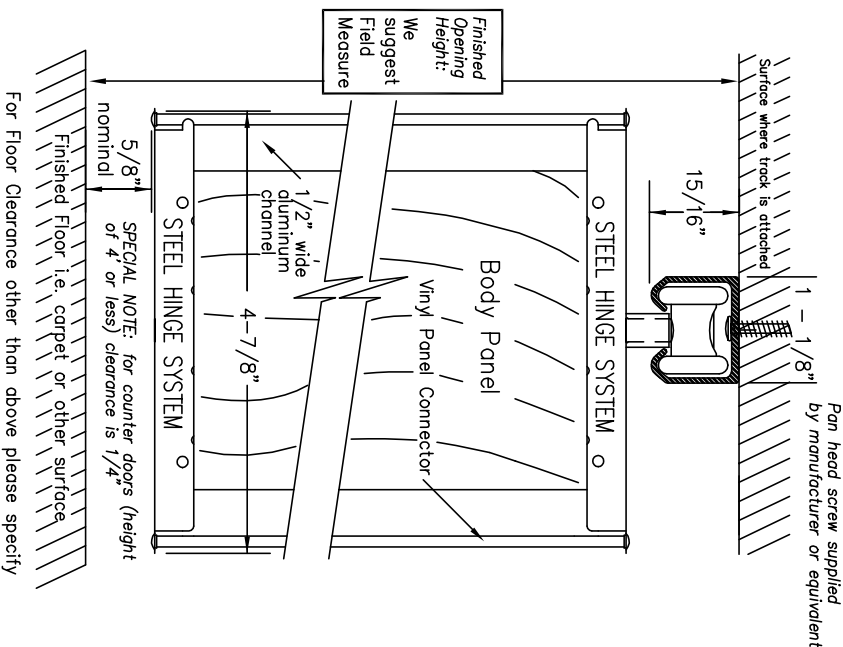
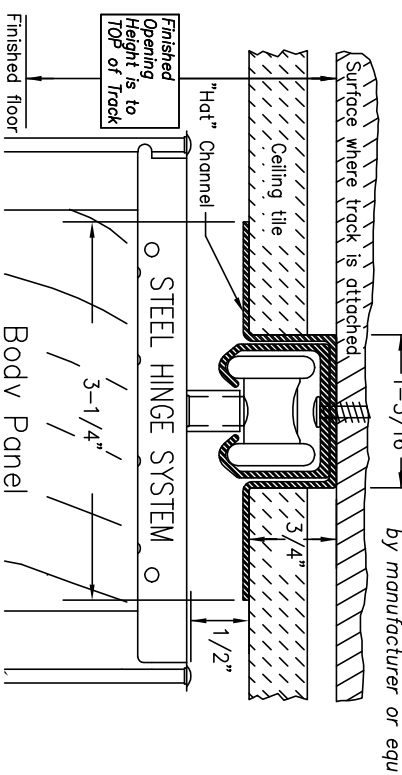


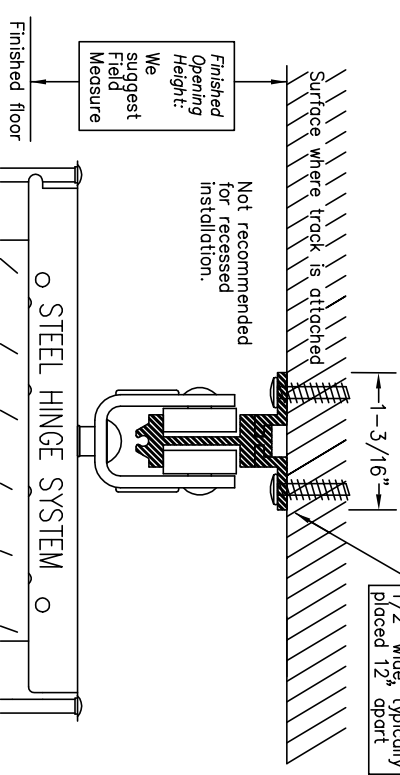
Surface Track



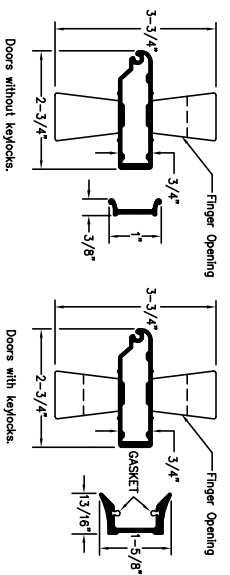
Recessed Track



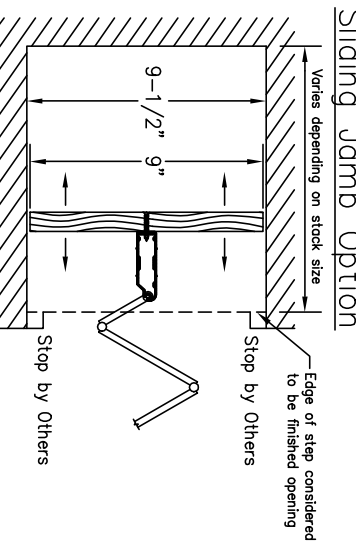
I-Beam Track



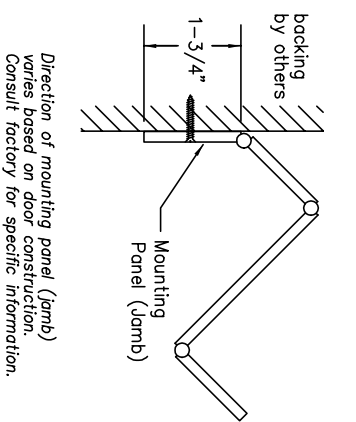
Lead Post, Jamb Mouldings & Handle



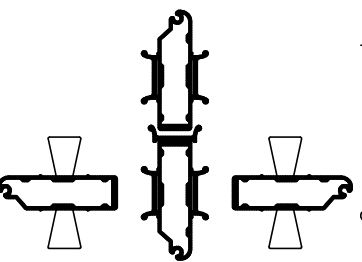
Sliding Jamb Option



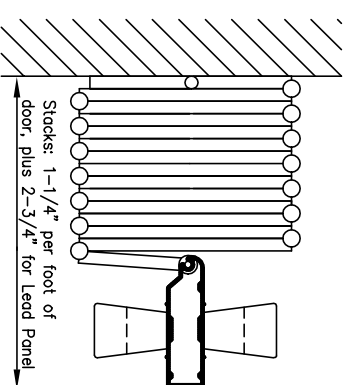
Mounting Panel



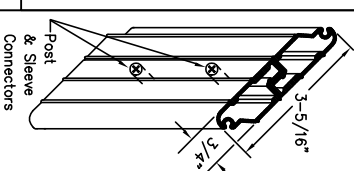
Multiple Meeting Option



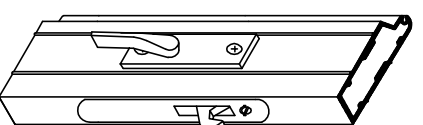
Stack Dimensions



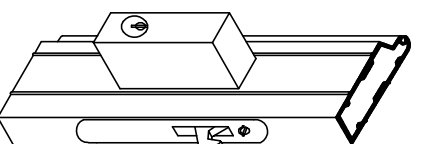
Intermediate Rolling Post



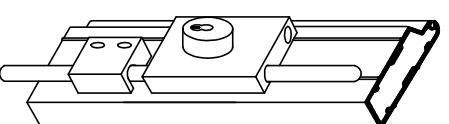
Privacy Latch



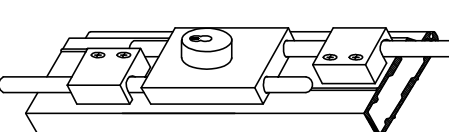
Keylock



Single Cremone Bolt Keylock



Double Cremone Bolt Key Lock



INFORMATION

Width Custom made to any width  
Height Custom made to 10' -1"  
Panels Acrylic, natural hardwood or vinyl-lam  
Side Channel Aluminum: White, Brown, Sand or Clear  
Panel Connector Extruded Vinyl: White, Brown, Sand or Clear  
Coordinated with side channel  
Hinge System Steel: Dark Bronze or Clear  
Wheels Ball bearing nylon wheels on steel axles  
Track Aluminum (straight or curved): Dark Bronze or Clear  
Recessed Channel/ "Hot" Channel Aluminum (straight only): White  
Lead, Intermediate and Jamb Aluminum: White, Brown, Sand or Clear  
Coordinated with Side Channel  
Latch Deadlatch with thumb turn two sides  
Header Construction Details by Others  
Door Weight Average Weight  
6-8" 10lbs. Per lined foot  
8-1" 12lbs. Per lined foot  
10'-1" 15lbs. Per lined foot  
12'-1" 18lbs. Per lined foot

Catch/Lock Options

Magnet Magnet with strike plate  
Privacy Latch Deadlatch with thumb turn one side  
Springlatch Springlatch with thumb turn two sides  
Keylock 1 Side Deadlatch with thumb turn one side, keylock one side  
Keylock 2 Side Deadlatch with keylock two sides  
Single Cremone Single cremone bolt with keylock  
Double Cremone Double cremone bolt with keylock  
Footbolts Locking or non locking  
Other Keyed Options Keyed alike, custom keyed, construction core  
Contact manufacture for more details

See Woodfold Accordion Door brochure for additional details

Job Name: \_\_\_\_\_  
Job Location: \_\_\_\_\_  
Supplier: \_\_\_\_\_  
Architects Acceptance  
By: \_\_\_\_\_  
Date: \_\_\_\_\_

Qty.	Single/Pair	Single End/Double End	Left or Right Stack	Width X Height	Finish/Color	Comments

THESE SPECIFICATIONS ARE SUBJECT TO CHANGE WITHOUT NOTICE

THESE SPECIFICATIONS ARE SUBJECT TO CHANGE WITHOUT NOTICE

Woodfold-Marco Mfg. Inc.  
P.O. Box 346 Forest Grove, OR. 97116  
http://www.woodfold.com

Phone: 503-357-7181  
Fax: 503-357-7185  
440 SD 3/00