

## Motorized Rolling Shutter (10" & 12" Box)



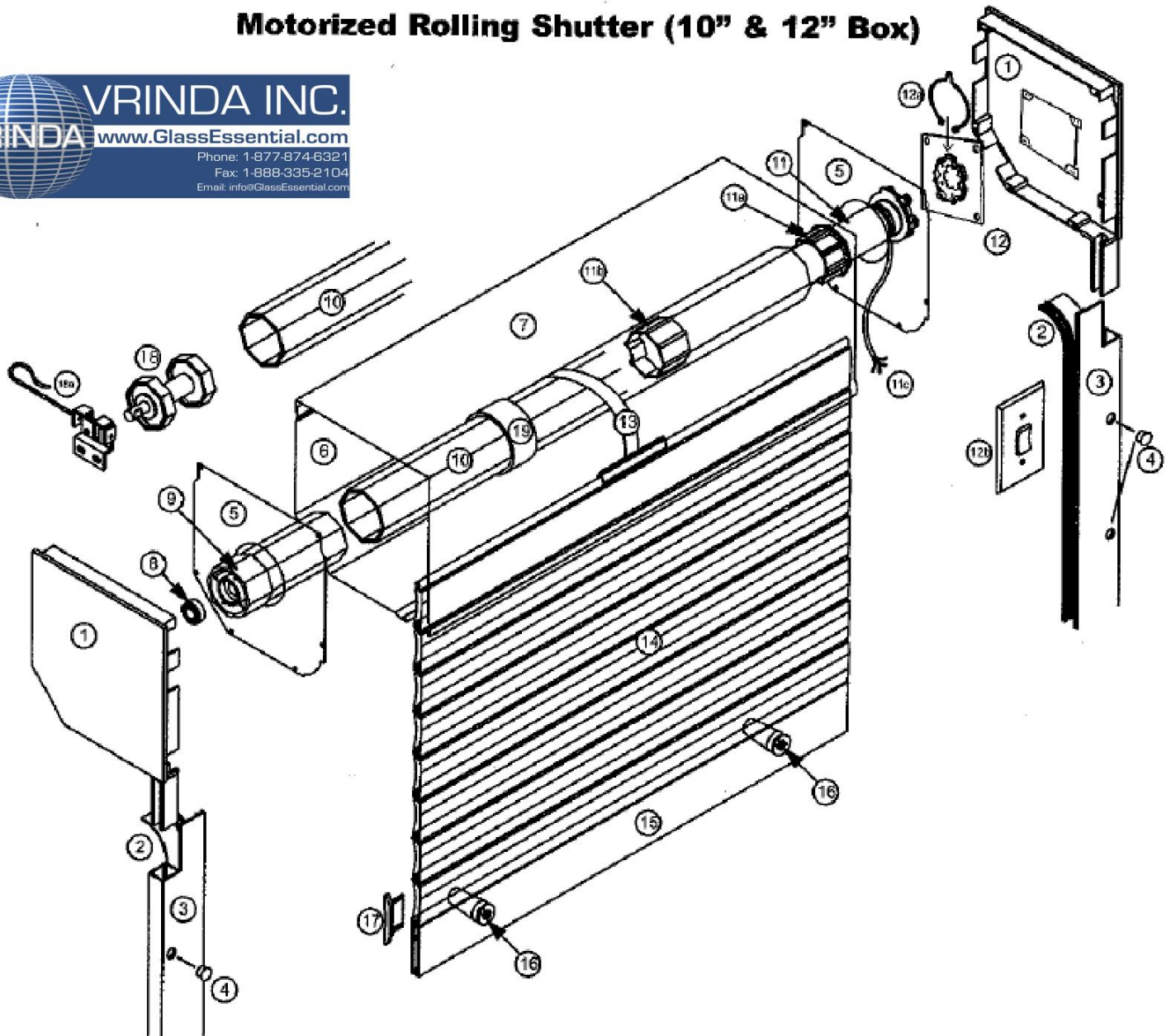
**VRINDA INC.**

[www.GlassEssential.com](http://www.GlassEssential.com)

Phone: 1-877-874-6321

Fax: 1-888-335-2104

Email: [info@GlassEssential.com](mailto:info@GlassEssential.com)



- |   |  |
|---|--|
| 1. Side/ End Cap (45°)                    | 11c. Motor Cable                           |
| 2. Entry Guide (Funnel)                   | 12. Motor Bracket                          |
| 3. Side/ Guide Rail                       | 12a. Spring Ring                           |
| 4. Plug Button                            | 12b. Switch                                |
| 5. Safety Plate                           | 13. Springlock Hanger                      |
| 6. Housing (Front/ Bottom) 10" - 12"(45°) | 14. Aluminum or PVC Slats                  |
| 7. Housing (Top/ Back) 10" - 12"          | 15. Base Slat                              |
| 8. Ball Bearing                           | 16. Exterior Stop (Optional)               |
| 9. Idler Insert (PVC) (Option 18)         | 17. Side Lock                              |
| 10. Octagonal Tube                        | 18. Idler (PVC-Steel) (Option 9)           |
| 11. Tubular Motor                         | 18a. Idler Bracket (Steel) (Option 9)      |
| 11a. Crown                                | 19. Axle Ring - PVC or Aluminum (Optional) |
| 11b. Drive                                |  |