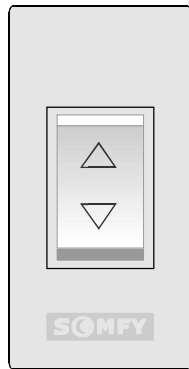




MAINTAINED ROCKER SWITCH
Double Pole - Double Throw - Center Off



TO BE INSTALLED AND/OR USED IN ACCORDANCE WITH APPROPRIATE ELECTRICAL CODES AND REGULATIONS

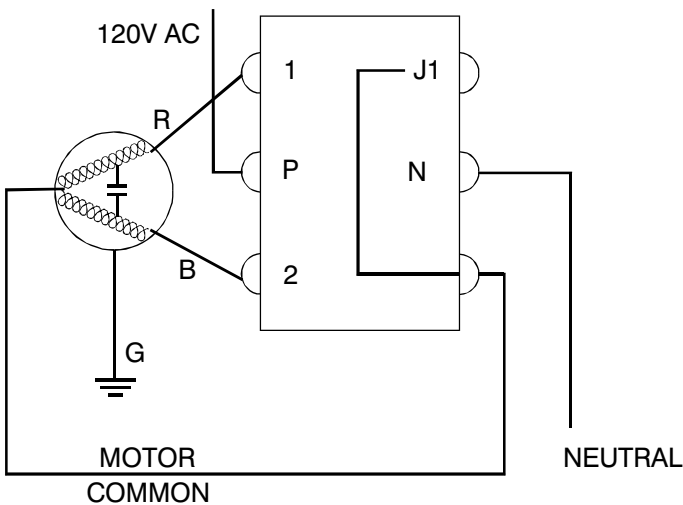
TO INSTALL:

- 1. WARNING:** IN AC INSTALLATIONS TO AVOID FIRE, SHOCK, OR DEATH; TURN OFF POWER AT CIRCUIT BREAKER OR FUSE. TEST THAT POWER IS OFF-BEFORE WIRING! Use this device only with copper or copper clad wire. With aluminum wire use only devices marked CO/ALR.
2. Remove insulation from wires, expose 3/4 inch of conductor. Loop wires clockwise 3/4 turn around terminal screws and tighten screws firmly.
3. Connect wires per WIRING DIAGRAM.
4. Mount device with long mounting screws. Replace wallplate and tighten cover screws.
5. Restore power at circuit breaker or fuse. INSTALLATION IS COMPLETE.

INSTALLATION INSTRUCTIONS

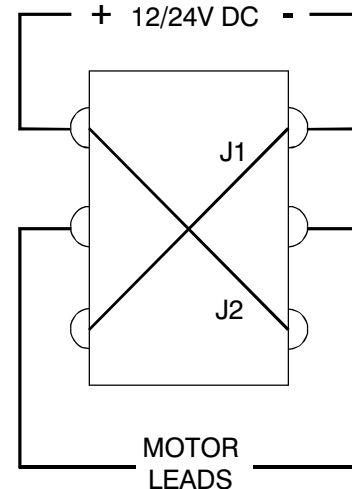
For Cat. No. 6120687

SWITCH WIRING
AC INSTALLATION



Back of Switch

SWITCH WIRING
DC INSTALLATION



Back of Switch

MOTOR WIRING:

R - RED	Direction 1
B - BLACK	Direction 2
WHITE	Neutral
G - GREEN	Ground

NOTE: If motor turns in wrong direction, reverse red and black motor leads

SOMFY CANADA
6315 Shawson Drive, Unit #1
Mississauga, Ontario L5T1J2
Phone CN: 1-800-66-SOMFY
CN: (905) 564-6446
Fax: (905) 564-6448



SOMFY SYSTEMS, INC.
47 Commerce Drive
Cranbury, New Jersey 08512
Phone US (sales): 1-800-64-SOMFY
NJ: (609) 395-1300
Fax: (609) 395-1776

SOMFY MEXICO, S.A. De C.B.
Calle 3 No. 47 Loc. E-5
Fracc. Ind. Alce Blanco.
Nau., Edo. de Mex.
C.P. 53370, Mex
Tel. 011 (525) 576-3421
Fax 011 (525) 576-3443