

NOTICE: For installation by a qualified electrician in accordance with national and local electrical codes, and the following instructions.

CAUTION: RISK OF ELECTRICAL SHOCK. Disconnect power before installing. Never wire energized electrical components.

Select conductors having 90°C or higher rated insulation having sufficient ampacity in accordance with the 60°C column of National Electrical Code® Table 310-16 or Canadian Electrical Code Table 2

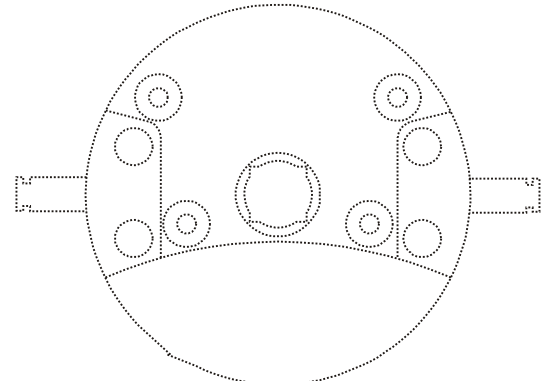
DO NOT USE TIN CONDUCTORS.

Warning

DO NOT wire more than one operator to a single pole switch. A second operator can be wired to the second pole of a double pole switch.

DO NOT connect two switches to an operator without a relay.

Wiring for one motor and one rocker switch

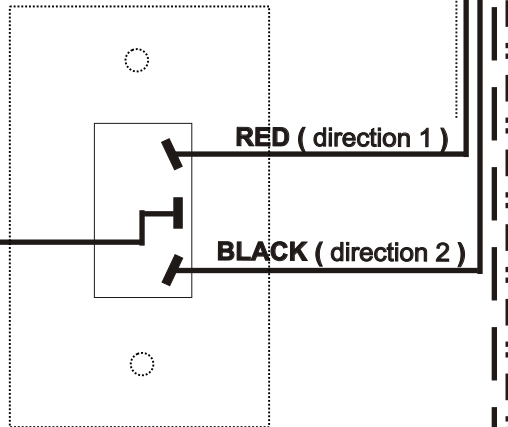


Power from wall

BLACK (120v - 60hz)

WHITE (neutral)

GREEN (ground)



WHITE (neutral)

GREEN (ground)

Power in		
Hot	Black	—————
Neutral	White	- - - - -
Ground	Green	- · - · - · - · - ·

Motor Leads		
Direction 1	Red	—————
Direction 2	Black	—————
Neutral	White	- - - - -
Ground	Green	- · - · - · - · - ·

