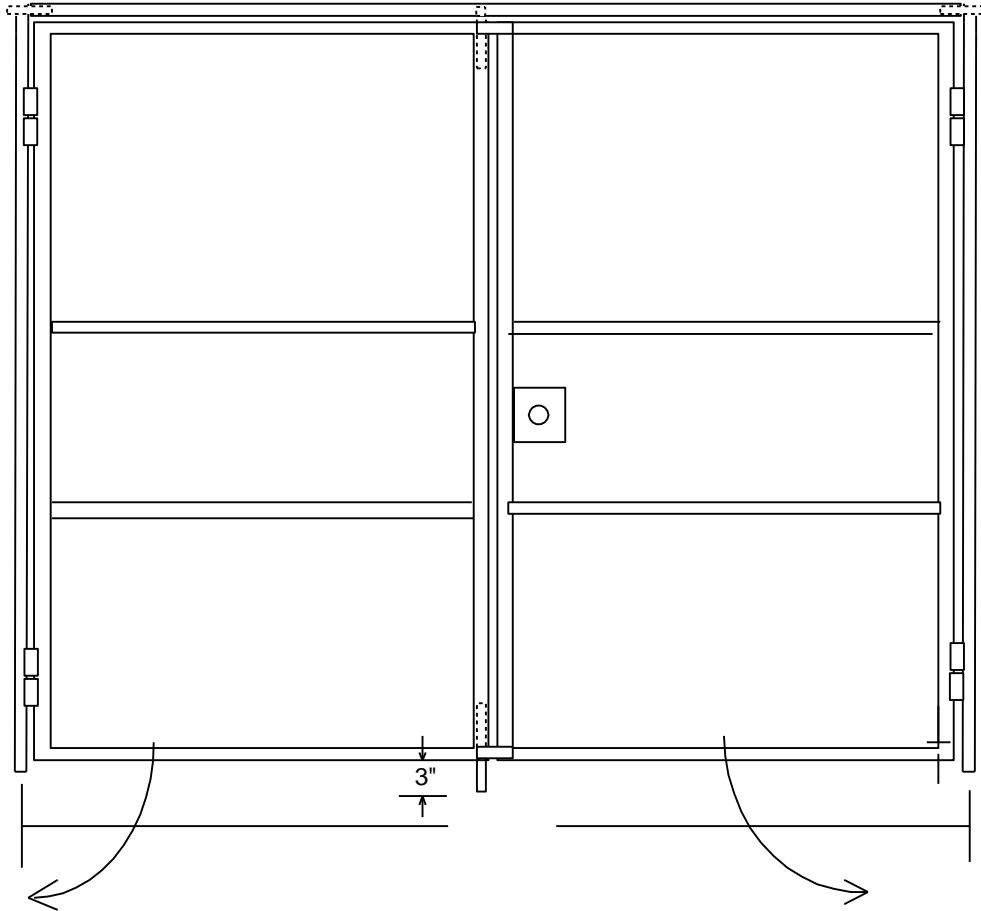
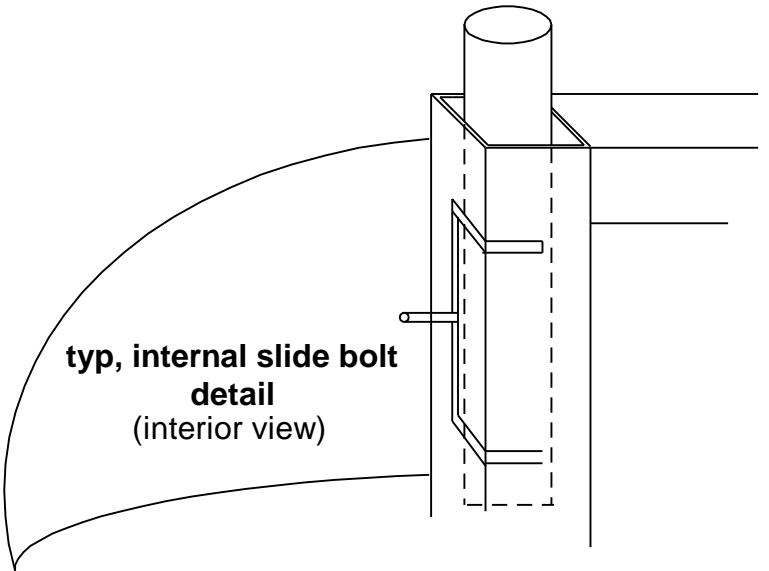


CUSTOMER: _____ DATE: _____

5/8" solid 8" long

Double Gate with top & bottom pins



Parr Security Products

Email: parr-micron@rogers.com

TEL: (905) 420-3878 FAX: (905) 420-5004